

# Washer extractors

## W365H, W375H, W3105H

### Features and benefits

- High extraction force for efficient dewatering
- Low water consumption up to 12 liter/kg dry linen (60°C without pre-wash). Depending on application
- Available with two types of electronic controls:
  - Exacta Control(R) with up to 28 fixed wash program combinations. Some parameters programmable
  - Clarus Control fully programmable, up to 192 programs
- Large door opening for easy loading/unloading
- Low noise level for pleasant working environment
- Stainless and galvanized steel in all vital parts for high degree of rust protection
- Powder painted cabinette
- Prepared for manual or automatic detergent supply
- Front panel in green and side panels in grey colour



### Main options

- Stainless steel front and/or side panels
- Payment systems: Single System card reader, coin-meter or central payment system (Exacta Control(R))
- Drain pump
- Extra noise insulation <70 dB(A)
- Dual drain valves for water re-use (Clarus Control)
- Special electrical heating elements for heavy soiled applications (eg. floor mops)

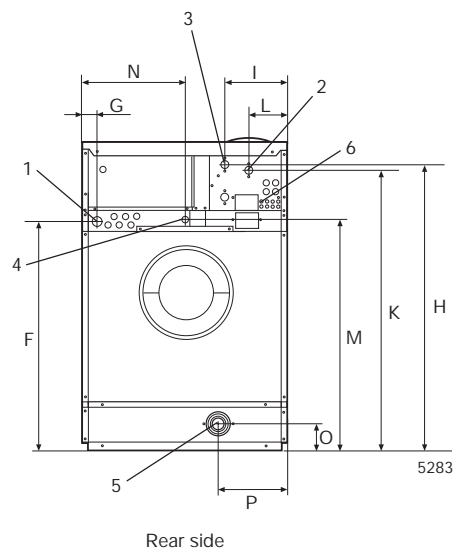
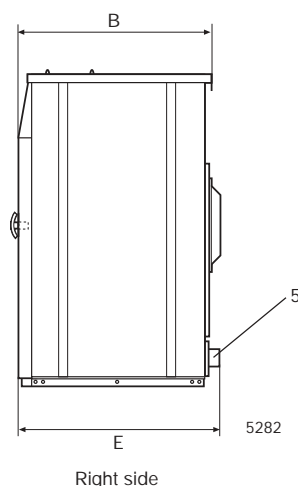
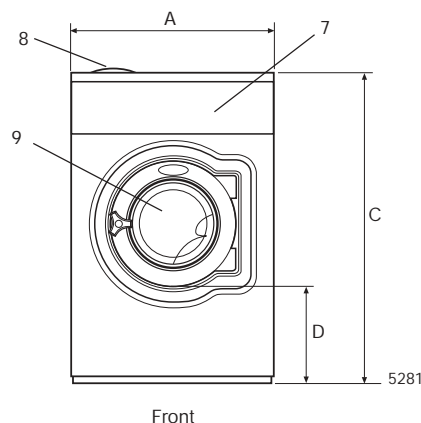
Main specifications				W365H		W375H		W3105H	
Rated capacity,	filling factor 1:10	kg/lb	6.5/14		7.5/17		11/25		
	filling factor 1:13	kg/lb	5/11		5.8/12.8		8/17.6		
Drum,	volume	litre	65		75		105		
	diameter	ø mm	520		520		595		
Extraction		rpm	1100		1100		1025		
G-factor			350		350		350		
Heating alternatives		electricity	2/3/5.4/7.5		2/3/5.4/7.5		7.5/10		
		steam	x		x		x		
		non-heated	x		x		x		
<b>Consumption data "Normal 60°C" *</b>				El	Steam	El	Steam	El	Steam
Total time		min	44	**	44	**	45	**	
Water consumption (cold/hot)		litre	68/12	68/12	76/14	76/14	104/19	104/19	
Energy consumption (motor/heating)*		kWh	0.15/0.45	0.15	0.2/0.5	0.2	0.25/0.7	0.25	
Steam consumption		kg	-	0.7	-	0.75	-	1.1	

\* Water temperature 15°C cold water and 65°C hot water  
 \*\* Depending on steam pressure

Certified in accordance with ISO 9001 and ISO 14001 and approved IP 24D.

Electrical connections*			W365H	W375H	W3105H
Heating	Voltage				
El.	230V 1AC 50 Hz	kW(A)	7.3(35)	7.3(35)	9.6(50)
	230V 3AC 50 Hz	kW(A)	7.3(20)	7.3(20)	9.6(35)
	240V 3AC 60 Hz	kW(A)	7.9(25)	7.9(25)	10.5(35)
	400V 3N AC 50 Hz	kW(A)	7.4(16)	7.4(16)	9.7(16)
Steam or non-heated	230V 1AC 60 Hz	kW(A)	1.1(10)	1.1(10)	1.4(10)
	240V 1AC 60 Hz	kW(A)	1.1(10)	1.1(10)	1.4(10)
	230V 1AC 50 Hz	kW(A)	1.1(10)	1.1(10)	1.4(10)
Water and steam connection					
Water valves	DN		20	20	20
Water pressure	kPa		150-400	150-400	150-400
Capacity at 300 kPa	l/min		27	27	27
Drain valve	ømm		50/75	50/75	50/75
Draining capacity	l/min		150	150	150
Steam valve	DN		15	15	15
Steam pressure	kPa		300-600	300-600	300-600
Liquid detergent supplies			5	5	5
Floor requirements					
Frequency of the dynamic force	Hz		18.3	18.3	17.1
Max floor load at extraction	kN		1.6±0.5	1.8±0.5	2.3±0.5
Sound levels					
Airborne sound level	dB(A)		71	71	73
Heat emission					
% of installed power, max			5	5	5
Shipping data					
Weight	net, kg		154	159	212
	crated, kg		167	179	225
Shipping volume	m <sup>3</sup>		0.75	0.75	0.99
Accessories					
Steel base frame			x	x	x
Water re-use tank (Clarus Control)			x	x	x
Hose connection kits for water or steam			x	x	x
Dimensions in mm					
A	Width		720	720	830
B	Depth		690	690	705
C	Height		1115	1115	1200
D			355	355	365
E			720	720	740
F			825	825	910
G			45	45	45
H			1030	1030	1115
I			220	220	220
K			1010	1010	1100
L			135	135	135
M			830	830	910
N			360	360	415
O			100	100	100
P			240	240	295
1	Electrical connection	6	Liquid supply connections		
2	Cold water	7	Control panel		
3	Hot water	8	Soap box		
4	Steam connection	9	Door opening ø310 (W365,375), ø365 (W3105)		
5	Drain				

\* Other voltages available, see installation manual.



# Electrolux

ELECTROLUX LAUNDRY SYSTEMS

Lundtoftegaardsvej 93A, DK-2800 Lyngby, Denmark  
 Telephone: +45 4526 4800. Telefax: +45 4526 4801  
 Internet: www.electrolux.com/laundrysystems  
 E-mail: els.info@electrolux.com

The Electrolux Group. The world's No. 1 choice.

The Electrolux Group is the world's largest producer of powered appliances for kitchen, cleaning and outdoor use. More than 55 million Electrolux Group products (such as refrigerators, cookers, washing machines, vacuum cleaners, chain saws and lawn mowers) are sold each year to a value of approx. USD 14 billion in more than 150 countries around the world.

Art. No. 438908001/12 04.37  
 We reserve the right to alter specifications without notice.