

Washer extractors

W3130H, W3180H, W3240H

Features and benefits

- High extraction force for efficient dewatering
- Low water consumption, up to 12 liter/kg dry linen (60°C without pre-wash). Depending on application
- Available with two types of electronic controls:
 - Exacta Control(R) with up to 28 fixed wash program combinations. Some parameters programmable
 - Clarus Control fully programmable, up to 192 programs
- Large door opening for easy loading/unloading
- Low noise level, for pleasant working environment
- Stainless and galvanized steel in all vital parts for high degree of rust protection
- Prepared for manual or automatic detergent supply
- Stainless steel front panel and powder painted side panels



Main options

- Stainless steel side panels
- Payment systems: Single System card-reader, coin-meter or central payment system (Exacta Control(R))
- Dual drain valves for water re-use (Clarus Control)
- Special electrical heating elements for heavy soiled applications (e.g. floor mops) (W3130H only)

Main specifications				W3130H		W3180H		W3240H	
Rated capacity,	filling factor 1:10	kg/lb	13/30		18/40		24/55		
	filling factor 1:13	kg/lb	10/22		13.8/30		18.5/40		
Drum,	volume	litre	130		180		240		
	diameter	ø mm	650		725		795		
Extraction		rpm	980		930		890		
G-factor			350		350		350		
Heating alternatives	electricity	kW	13		18		23		
		steam	x		x		x		
		non-heated	x		x		x		
Consumption data "Normal 60°C" *				El	Steam	El	Steam	El	Steam
Total time		min	47	**	47	**	45	**	
Water consumption (cold/hot)		litre	133/24	133/24	187/33	187/33	227/52	227/52	
Energy consumption (motor/heating)*		kWh	0.3/0.9	0.3	0.45/1.25	0.45	0.6/1.7	0.6	
Steam consumption		kg	-	1.3	-	1.9	-	2.5	

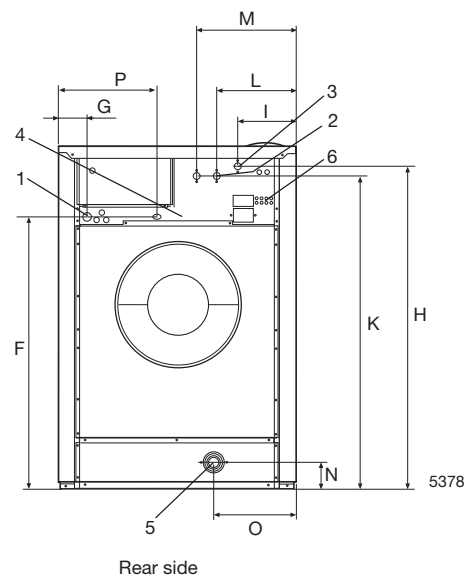
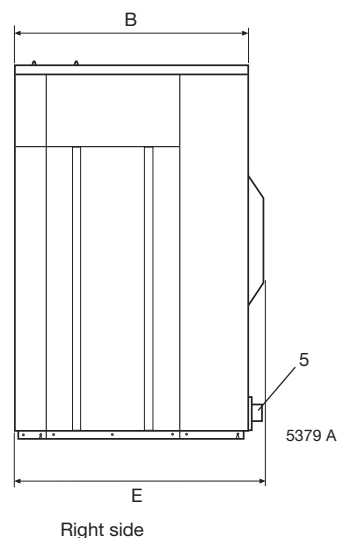
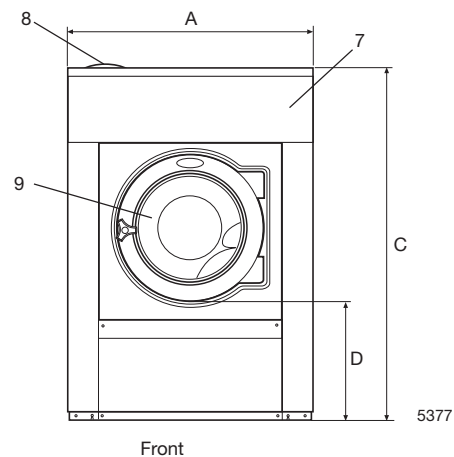
* Water temperature 15°C cold water and 65°C hot water.

** Depending on steam pressure.

Certified in accordance with ISO 9001 and ISO 14001 and approved IP 24D.

Electrical connections*		W3130H	W3180H	W3240H
Heating Voltage				
EI.	230V 3 AC 50 Hz	kW(A) 12.5(35)	17.4(50)	22.2(63)
	240V 3AC 60 Hz	kW(A) 12.5(35)	18.9(50)	24.1(63)
	400V 3N AC 50 Hz	kW(A) 12.5(20)	17.6(35)	22.4(35)
Steam or non-heated	230V 1AC 60 Hz	kW(A) 1.7(10)	2.4(16)	2.6(16)
	240V 1AC 60 Hz	kW(A) 1.7(10)	2.4(16)	2.6(16)
	230V 1AC 50 Hz	kW(A) 1.7(10)	2.4(16)	2.6(16)
Water and steam connection				
Water valves	DN	20	20	20
Water pressure	kPa	150-400	150-400	150-400
Capacity at 300 kPa	l/min	27	60	60
Drain valve	Ømm	75	75	75
Draining capacity	l/min	150	150	150
Steam valve	DN	15	15	15
Steam pressure	kPa	300-600	300-600	300-600
Liquid detergent supplies		5	5	5
Floor requirements				
Frequency of the dynamic force	Hz	16.4	15.5	14.8
Max floor load at extraction	kN	3.0±0.5	3.9±1.0	4.5±1.0
Sound levels				
Airborne sound level	dB(A)	73	80	80
Heat emission				
% of installed power, max		5	5	5
Shipping data				
Weight	net, kg	267	356	429
	crated, kg	284	376	448
Shipping volume	m ³	1.27	1.64	1.79
Accessories				
Steel base frame		x	x	x
Water re-use tank (Clarus Control)		x	x	x
Hose connection kits for water or steam		x	x	x
Dimensions in mm				
A Width		910	970	1020
B Depth		785	870	915
C Height		1325	1410	1445
D		435	470	500
E		825	945	955
F		1035	1120	1155
G		125	115	100
H		1245	1330	1360
I		215	230	215
K		1225	1290	1320
L		300	315	300
M		-	395	380
N		100	100	100
O		305	335	360
P		455	485	510
1 Electrical connections	6 Liquid supply connections			
2 Cold water	7 Control panel			
3 Hot water	8 Soap box			
4 Steam connection	9 Door opening ø395 (W3130H), ø435 (W3180H,W3240H)			
5 Drain				

* Other voltages available, see installation manual.



Electrolux

ELECTROLUX LAUNDRY SYSTEMS

Lundtoftegaardsvej 93A, DK-2800 Lyngby, Denmark
 Telephone: +45 4526 4800. Telefax: +45 4526 4801
 Internet: www.electrolux.com/laundrysystems
 E-mail: els.info@electrolux.com

The Electrolux Group. The world's No.1 choice.

The Electrolux Group is the world's largest producer of powered appliances for kitchen, cleaning and outdoor use. More than 55 million Electrolux Group products (such as refrigerators, cookers, washing machines, vacuum cleaners, chain saws and lawn mowers) are sold each year to a value of approx. USD 14 billion in more than 150 countries around the world.

Art. No. 438908031/13 05.34
 We reserve the right to alter specifications without notice.