

# HS WASHER EXTRACTORS

# GIABAU



HS-4022 • HS-4040 • HS-4055 (STAT/TILT) • HS-4110 (STAT/TILT)

# GIRBAU HS WASHER EXTRACTORS

## NEW HS-4000 SERIES

**H**heavy-duty machines, environmentally friendly, quiet, maintenance free, energy saving, free standing, with total electronic control of all functions.

### MACHINES BUILT TO LAST

Girbau washer extractors are constructed to help extend the life of the machine.

The frame is built in mecano-welded profile with primer and highly resistant epoxy paint.

Inner and outer drums in AISI-304 stainless steel are capable of handling the most demanding work loads.

Front and side panels are manufactured from high grade AISI-304 stainless steel. On model HS-4022 front and top panels are in AISI-304 stainless steel.

Other panels are in galvalume plate with primer and epoxy paint. All these materials guarantee a high protection against corrosion.

The single-piece bearing housing is built to withstand top-capacity use in every cycle.

Maintenance free, no need for lubrication, elimination of dead time, all components easy to replace and heavy-duty construction of our machines, these are more of our many profitable and cost saving factors.

Just open the door of a Girbau washer and, even though it had been working for years, the drum is in perfect condition.



*The structurally superior reinforced Girbau frame, provides for longer machine life, thus allowing higher spin speeds for improved water extraction.*

### ADVANCED DESIGN MEANS LESS DOWN-TIME

Should service be necessary, Girbau's advanced design provides easy access to all moving parts.

### FRONT AND SIDE PANELS CAN BE SUPPLIED WITH THE FOLLOWING OPTIONS:



**Basic:**  
Stainless steel



**Option:**  
Saturn Grey colour



**Option:**  
Mars Red colour

### SUPERIOR PROTECTION AGAINST HARSH CHEMICALS



*The exclusive drum construction in AISI-304 stainless steel and the treatment of the V-ring sealing shaft provide positive protection to the main bearings.*

Girbau's washers inner and outer drums are AISI-304 stainless steel to help extend the life of each machine.

Dispensers are polypropylene. All flexible ducts, hoses and seals utilise high quality material such as ethylene-propylene (EPDM) and viton (FKM), for superior protection against contact with chemicals.

### THE POWER AND ECONOMY YOU NEED

Girbau washer-extractors offer multiple cycles that match the right washing application to the specific load requirements.

Economy cycles on SM and PM control units allow any laundry operation to programme the machine for optimum washing consumption.

Efficient G force water extraction of >300 saves valuable drying energy up to 200 kcal/kg. linen.

The analogue pressure transmitter for 6 water levels allows to a minimum consumption of water, enabling operators to efficiently handle all type of load requirements.



*Unique, one piece bearing design provides optimum structural support and lasting bearing performance.*

### THE RIGHT WATER TEMPERATURE EVERY TIME

The microprocessor control and the thermostatically controlled hot and cold water analog mixer provide highly accurate temperatures. The right water temperature assures all laundry is processed at the most efficient and sanitary level possible.

**HS-4022** **SM** **PM**  
23 kg Capacity



# HOT WATER, STEAM OR ELECTRIC HEATING TOMORROW'S TECHNOLOGY: TODAY!

## GDRIVE

Just as technology has rapidly advanced the automotive industry with features such as ABS braking, self-adjusting suspension and electronically monitored ride controls to ensure optimum performance, Girbau by improving the already recognised and proven reliable Microprocessor Control has developed the *GDRIVE*.

According to the Engineering Director, Girbau SA, "it is a pity the *GDRIVE* is hidden inside the machine, the benefits of which remain unnoticed until the machine is commissioned". *GDRIVE* by Girbau has been designed to provide unique capabilities to the consumer interested in optimum laundry room

performance and productivity. The *GDRIVE* provides to new HS-4000 series a number of UNIQUE ADVANTAGES which include:

- Optimum processing according to specific linen type.
- Up to 6 rotation speeds with a single motor.
- Out of balance automated load adjustment.
- Gradual acceleration and braking.
- Up to 70% reduction in electrical draw during start-up.
- Reduction in noise and vibration.
- Prolonged machine life.
- Multiple voltage applications.
- Maintenance free.

**GDRIVE System** features provide  
multiple wash speeds

**HS-4040**  
40 kg Capacity



**HS-4055**  
STAT or TILT VERSION  
57 kg Capacity



# VERSATILITY, ACCURACY AND CONTROL TO MEET YOUR REQUIREMENTS

## SM STANDARD CONTROL. HS-4022



Girbau's electronic microprocessor with 8 personalised programme selections for each of the following activities:

**Commercial laundries, Hotels-apartments, Institutions, Restaurants, Health-care, Sports facilities, Industries and Shirt laundries.**

Options included: Ability to change temperature; long, short, extra-short and economy programmes; synthetics; crease guard; acceleration of programmes and elimination of spin.

## PM PROGRAMMABLE CONTROL. HS-4022 • HS-4040 • HS-4055 and HS-4110 (STAT/TILT)



Girbau's electronic microprocessor with 79 programme selection options (20 are programmed into the machine and 59 are user programmable). Each programme allows up to 11 phases.

**Complete control of all functions:**

- Water fill: 3 water options.
- Levels: 6 water levels.
- Temperature: from 0 to 90°C or 32 to 194°F

- Dosing: 4 machine-dosing and 5 external signals for centralised dosing, time programmable.
- Rotation: 3 variable rotation options + rotation 0.
- Times: 1 to 99 minutes per phase.
- Cool-down: for synthetic fabrics.
- Extract time: from 1 to 12 minutes per phase.
- Buzzer: time programmable.

**Auxiliary programming functions:**

- COPY, MODIFICATION or DELETION of programmes.
- REPORT: Memorisation of multiple operation parameters.
- TEST: Verification for easier service.
- ALARMS: Control and report of supply and operational failures.

### HS-4110 STAT or TILT VERSION 110 kg Capacity



#### VERTICAL PANEL

For ease-of-use, the PM programmable microprocessor control is positioned vertically on HS-4055 TILT and HS-4110 STAT or TILT.

#### WATER RECOVERY TANK RT\*

PM control washers permit the installation of a WATER RECOVERY TANK RT. (Except HS-4022 model)

\*ASK FOR ADDITIONAL INFORMATION



#### TILT FEATURE TO MAKE LOADING AND UNLOADING EASIER

The HS-4055 and HS-4110 washers, fitted with the TILT SYSTEM simplify loading and unloading. This exclusive pneumatic tilt system provides many benefits: ease of operation, low maintenance and minimal installation space.



## GIRBAU, THE GUARANTEE OF A WORLD LEADER

Girbau, S.A. has had a dedicated presence in more than 80 international markets for over 40 years, GIRBAU is a world leader in the manufacturing of industrial laundry equipment for washing and handling fabrics.

GIRBAU's corporate priority is superior support and total customer and user satisfaction, possible by two fundamental priorities:

**The superior quality of all the products**, are distinguished in the market by design, quality, efficiency, reliability, and constant technological improvement.

**The most complete and personalised service**, consisting of:

*Sales Engineering Department* capable of developing personalised Laundry Room drawings and specifications to ensure optimum productivity and results.

*Service department*, provides responsive total after sale training and support.

*Worldwide Distributor Network*, capable of providing superior pre-sale and post sale support to ensure complete customer satisfaction.

## GIRBAU, QUALITY AND SAFETY CERTIFIED

Girbau products conform to various certifications which guarantee compliance to the most rigorous safety standards: **CE** (Europe), **TÜV GS** (Germany), **ETL** (USA), **Energy Star** (USA), **Warnock Hersey** (Canada), **Bureau Veritas** (France), **WRAS** (UK), **LGAIG** (Spain).

Girbau meet the terms of various certifications which accredit the compliance of the company with the criteria of quality and respect for the environment: **ISO-9001**, obtained in 1996, **ISO-14001**, since 2001 and **EMAS** Certification of eco-management since 2004.

Girbau's R&D department uses the most advanced technology, such as calculation by finite element method, strain gauge testing and accelerated reliability tests, thus improving and extending the life of the machine.

## FOUR PRODUCTION FACILITIES, FOR A TOTAL SOLUTION



**FACTORY GIRBAU 1:** washer extractors and flatwork ironers



**FACTORY GIRBAU 2:** heavy-duty laundry equipment (batch washers, presses, dryers, conveyors, etc.)

**FACTORY GIRBAU 3:** washer extractors manufactured in series.

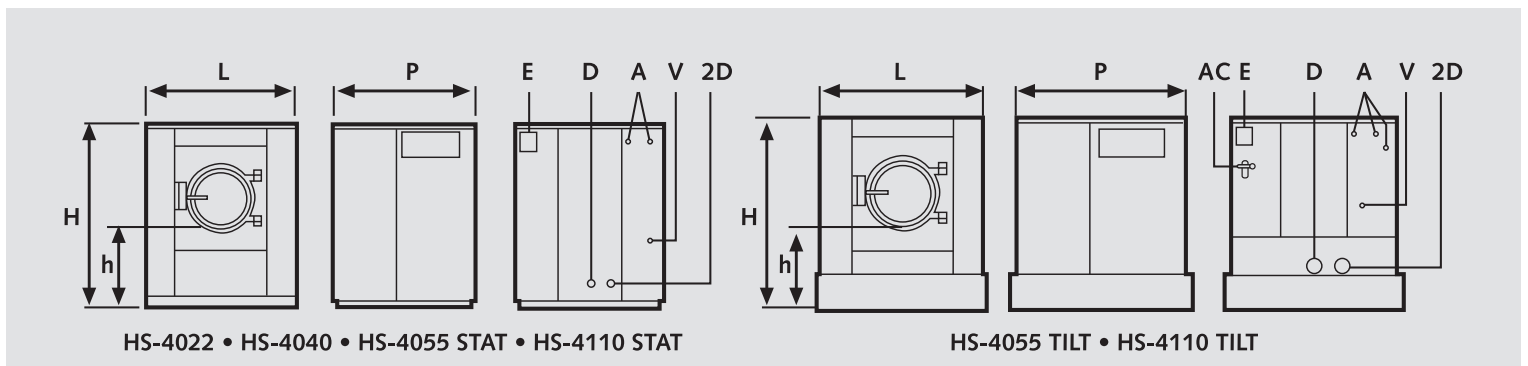


**FACTORY Jean Michel:** Automation machinery for heavy-duty installations (handrail conveyor systems, feeders, folders, stackers, etc.)

# HS WASHER EXTRACTORS

MODEL		HS-4022	HS-4040	HS-4055 STAT	HS-4055 TILT	HS-4110 STAT	HS-4110 TILT
<b>Capacity</b>	<b>kg 1/10 (lbs.)</b>	<b>23 (50)</b>	<b>40 (90)</b>	<b>57 (125)</b>	<b>57 (125)</b>	<b>110 (250)</b>	<b>110 (250)</b>
Drum Ø	mm (inch.)	740 (29)	900 (35.4)	1080 (42.5)	1080 (42.5)	1310 (51.6)	1310 (51.6)
Drum depth	mm (inch.)	530 (21)	621 (24.4)	621 (24.4)	621 (24.4)	816 (32.1)	816 (32.1)
Drum volume	dm <sup>3</sup> (cu.ft.)	228 (8)	395 (14)	569 (20.1)	569 (20.1)	1100 (38.9)	1100 (38.9)
Net weight	kg (lbs.)	729 (1607)	1371 (3023)	1850 (4070)	2176 (4797)	4009 (8838)	4429 (9764)
Gross weight	kg (lbs.)	828 (1825)	1525 (3362)	2130 (4696)	2546 (5613)	4379 (9654)	4489 (10778)
Height <b>H</b>	mm (inch.)	1420 (55.9)	1700 (66.9)	1900 (74.8)	2092 (82.4)	2055 (80.9)	2048 (80.6)
Width <b>L</b>	mm (inch.)	1000 (39.4)	1370 (53.9)	1550 (61)	1639 (64.5)	1770 (69.7)	1830 (72)
Depth <b>P</b>	mm (inch.)	1200 (47.2)	1407 (55.4)	1450 (57.1)	1614 (63.5)	1900 (74.8)	2243 (88.3)
Door bottom floor <b>h</b>	mm (inch.)	665 (26.2)	760 (29.9)	908 (35.7)	1100 (43.3)	880 (34.6)	1100 (43.3)
Washing speed	r.p.m	15-44	15-40	12-35	12-35	11-31	11-31
Max. spin speed	r.p.m	917	870	800	800	720	720
<b>G</b> Force		349	381	387	387	380	380
Drain Ø <b>D</b>	(mm) inch.	(75) 3	(75) 3	(75) 3	(75) 3	(130) 5	(130) 5
Water Ø <b>A</b>	(mm) inch.	(19) 3/4	(25.4) 1	(25.4) 1	(25.4) 1	(51) 2	(51) 2
Steam Ø <b>V</b>	(mm) inch.	(12.7) 1/2	(19) 3/4	(19) 3/4	(19) 3/4	(25.4) 1	(25.4) 1
Max. motor power	kVA	1.75	4.8	7.4	7.4	11	11
Electric heating	kW	18	21.6	33	33	*	*
Crating dimensions LxPxH	mm (inch.)	1130x1300x1560 (44.5x51.2x61.4)	1520x1490x1960 (59.8x58.7x77.2)	1690x1590x2160 (66.5x62.6x85)	1690x1590x2160 (66.5x62.6x85) *	1990x2100x2230 (78.3x82.7x87.8)	1990x2100x2230 (78.3x82.7x87.8) (43x78x28) *

\* Two cases



GIRBAU, S.A. reserves the right to change design and/or specification without notice



## HEADQUARTERS:

GIRBAU, S.A. Ctra de Manlleu, km. 1 • 08500 Vic (Barcelona) Spain • Tel. (+34) 93 886 1100 - 93 886 2219 • Fax (+34) 93 886 0785 • girbau@girbau.es • www.girbau.com

## BRANCHES

**Argentina** - Buenos Aires - Tel. +54-1 149017600 - girbauargentina@girbau.com.ar  
**Brazil** - Sao Paulo - Tel. +55 11-69820446 - girbaudobrasil@girbau.com.br  
**China** - Shenzhen - Tel. +86-755-8211 1330 - info@girbau.com.cn  
**Cuba** - La Habana - Tel. (+53-7) 8662071 al 73 - girbau@girbau.co.cu  
**France** - Roissy (Paris) - Tel. +33 1-49388585 - info@girbau.fr  
 Grésy-sur-Aix - Tel. +33 479348080 - jm@jeanmichel.fr  
**Germany** - Hannover - Tel. +49-5119357570 - girbau@girbau.de  
**U.A.E.** - Dubai - Tel. +971 4-8839951 - girbau@emirates.net.ae  
**U.K.** - London - Tel. +44(0)-2082057285 - info@vikinglaundry.com  
**U.S.A.** - Oshkosh, WI - Tel. +1(920) 2318222 - info@continentalgirbau.com