

PROFESSIONAL LAUNDRY EQUIPMENT

HF 150

HF 185

HF 234

HF 304





HF 150 - HF 185 - HF 234 - HF 304

Door

- Easy loading & unloading
- Over-dimensioned hinges
- Stainless steel door with a matt finish !



PVC connection

- Simple and efficient connection of the soap pumps



Doorhandle

- A new safe and comfortable doorhandle
- Interchangeable with the previous model



Connection from the soap box to the tub

- Connection at the back of the tub
- No aggressive detergents directly on the linen
- Less noise

IPSO: G-DRIVING THE INDUSTRY



Bearing house

- Over-sized industrial bearing houses
- Steel axial seals made out of graphite and stainless steel
- Well balanced steel shaft

Standard inverter drive

- Washing and spin speeds freely programmable
- Rotation and stop time freely programmable from 0,1 till 60 sec
- Low sound level
- Less unbalances
- Less current peaks

Speed sensor

- Exact rpm



IPSO wet cleaning system

- An alternative cleaning method using water
- Wet treatment process with low temperature, low mechanical actions and short cleaning times
- The machine is capable of processing the most delicate silk blouses, woolen blankets, bedcovers, synthetic materials, cotton garments, overcoats or suits



HF 150 - HF 185 - HF 234 - HF 304



HF 150 & HF 185: 2 new models

- HF 150: the machine with the largest door in its capacity
- HF 185: the most compact machine of this capacity on the market
- Both available in coin version

Easy service

- Self-tensioning poly-V-belt
- Self-cleaning water level hose
- Water level hose & drain valve mounted in front under the tub
- Extra low position of the counterweight incorporated in the suspended frame



Large door

- Diameter 400mm: easy loading & unloading

IPSO: G-DRIVING THE INDUSTRY



MICRO 20

- With plugs: easy to service
- Up to 99 programmes
- Temperature and water level freely programmable
- Time delay start-up feature



SIGMA

- Same features as Micro 20
- Infra-red port: easy downloading of programmes from laptop
- Serial port RS 485: machines can be put in a network
- 1000 programmable sections divided over 100 programmes

PS40

- Freely programmable
- 10 standard programmes
- 40 freely programmable wash programs
- Temperature, water level, cycle time and rpm freely programmable
- Connection up to 12 pumps for liquid soap
- Control of 2 drain valves (option)
- Infra-red port facilitates the downloading of programmes



TECHNICAL SPECIFICATIONS HF 150-185

		HF 150		HF 185	
Cylinder:	Capacity 1/10 (kg)	14,5		18,1	
	Volume (L)	145		181	
	Diameter (mm)	680		680	
	Depth (mm)	400		500	
	Perforations diam. (mm)	3		3	
Door opening diam. (mm)		400		400	
Height to doorhandle (mm)		745		745	
Speed:	Spin (rpm)	250 to 1000		250 to 1000	
	Distribution (rpm)	85		85	
	Wash (rpm)	10 to 50		10 to 50	
G-force		380		380	
Kinetic energy of the cylinder (N/m)		1156		1156	
Dynamic bottom load (N/16Hz)		4105		4105	
Power motor (W)		2200		2200	
Water pressure (bar)		3 to 5		3 to 5	
Hot water T° (boiler fed) (°C)		80		80	
Max. water consumption (L)		165		210	
Warm water need (boiler fed machine) (L/cycle)		110		130	
Diam. drain (mm/")		50 / 2		50 / 2	
Drain by gravity (L/min)		160		160	
Steam pressure (kg)		6 to 10		6 to 10	
Weight gross/nett (kg)		377/347		415/ 385	
Packing dimensions:	Height (mm)	1490		1490	
	Width (mm)	850		850	
	Depth (mm)	950		1200	
	Volume (m³)	1,20		1,52	
Type of heating	POWER SUPPLY - FUSES				
	230V 3AC	400V (tri + N)	230V 3AC	400V (tri + N)	
Boiler fed	16 A	16 A	16 A	16 A	
Steam heating	16 A	16 A	16 A	16 A	
Electrical heating 12 kW	40 A	20 A	40 A	20 A	
Electrical heating 15 kW	50 A	25 A	50 A	25 A	
Electrical heating 18 kW	50 A*	32 A*	50 A*	32 A*	
Electrical heating 21 kW		40 A		40 A	
Electrical heating 24 kW		40 A		40 A	

All specifications subject to change without notice.

[*] Standard heating

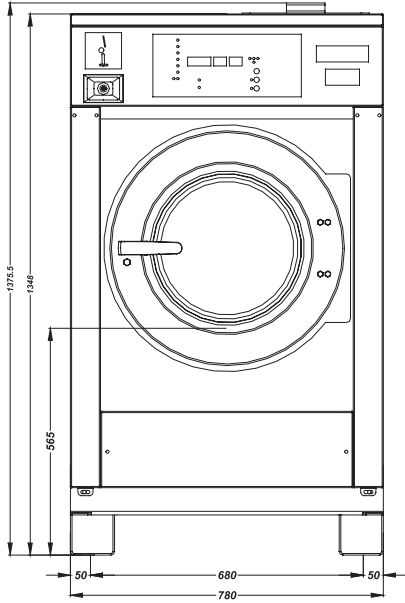
A. Ventilation
B. Liquid soap connections
C. Hard water connection
D. Warm water connection

E. Soft water connection
F. Connection clamps
G. Electrical connection
H. Emergency button

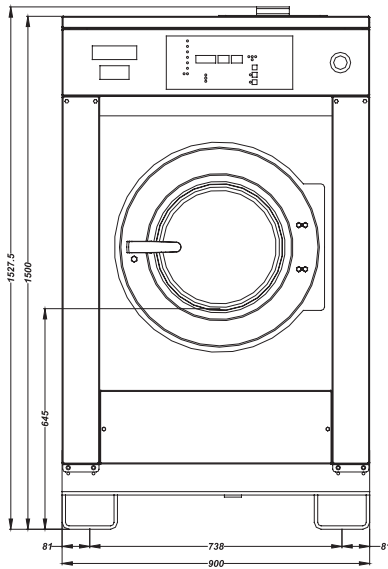
I. Ventilation
J. Bolt pattern for fixation
K. Drain valve
L. Steam connection

>>

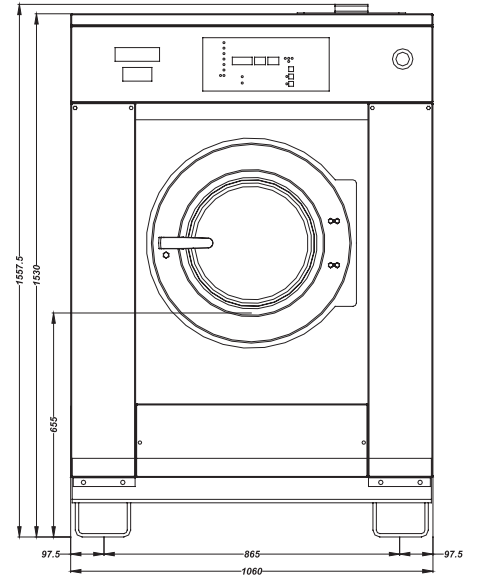
front view HF 150-185



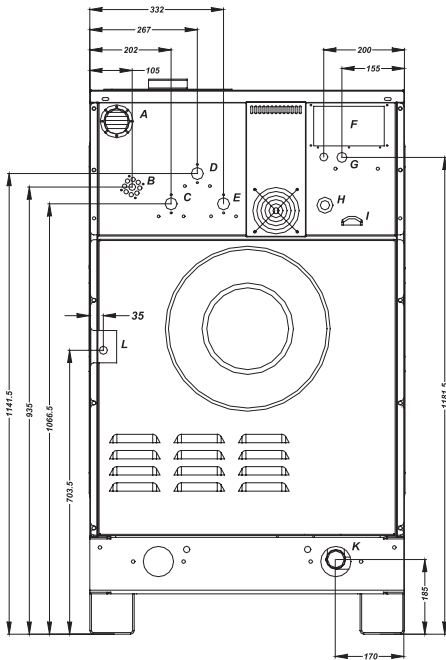
front view HF 234



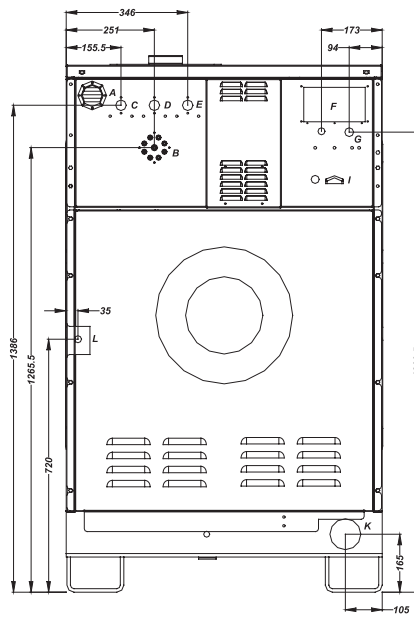
front view HF 304



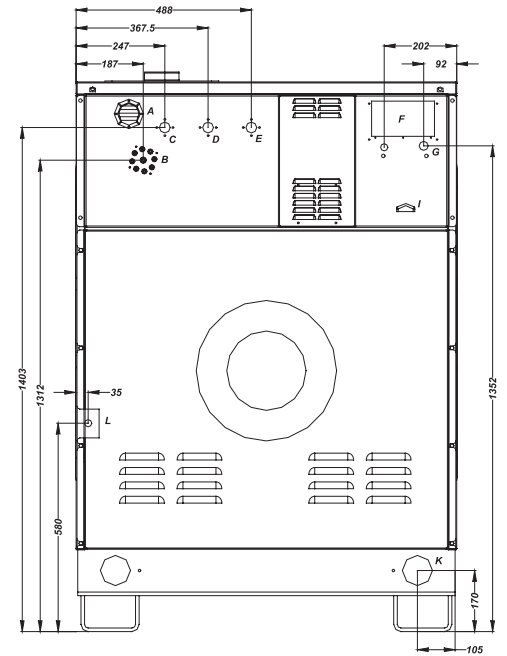
rear view HF 150-185



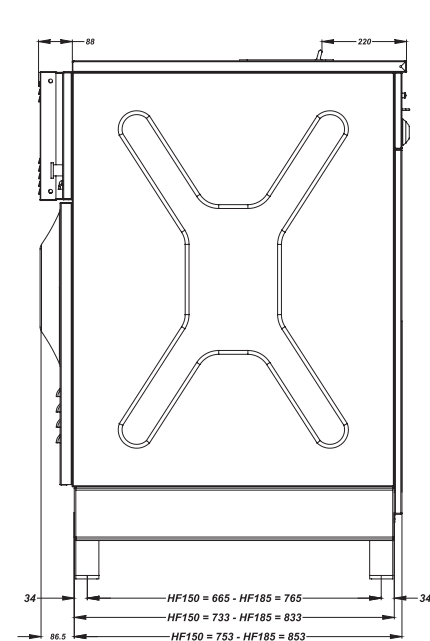
rear view HF 234



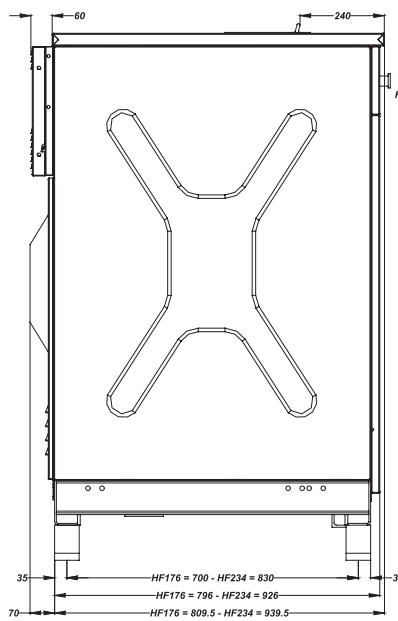
rear view HF 304



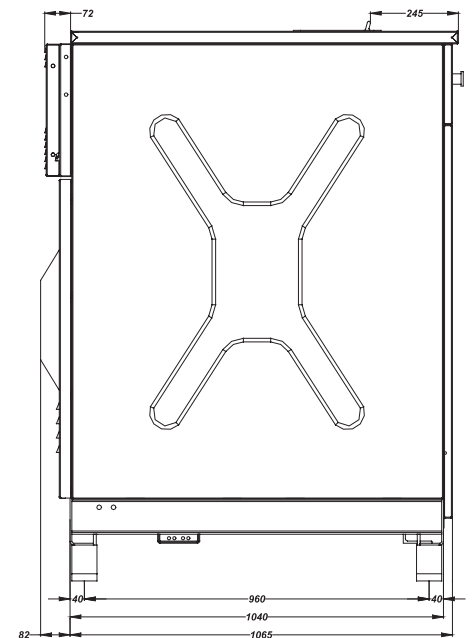
side view HF 150-185



side view HF 234



side view HF 304



TECHNICAL SPECIFICATIONS HF 234-304

		HF 234	HF 304	
Cylinder:	Capacity 1/10 (kg)	23,4	30,4	
	Volume (L)	234	304	
	Diameter (mm)	750	850	
	Depth (mm)	530	537	
	Perforations diam. (mm)	3	3	
Door opening diam. (mm)		400	400	
Height to doorhandle (mm)		820	820	
Speed:	Spin (rpm)	250 to 1000	250 to 1000	
	Distribution (rpm)	85	85	
	Wash (rpm)	10 to 50	10 to 50	
G-force		419	475	
Kinetic energy of the cylinder (N/m)		6640	12404	
Dynamic bottom load (N/15Hz)		1700	2000	
Power motor (W)		3000	4000	
Water pressure (bar)		3 to 5	3 to 5	
Hot water T° (boiler fed) (°C)		80	80	
Max. water consumption (L)		257	335	
Warm water need (boiler fed machine) (L/cycle)		150	180	
Diam. drain (mm/")		75 / 3	75 / 3	
Drain by gravity (L/min)		160	160	
Steam pressure (kg)		6 to 10	6 to 10	
Weight gross/nett (kg)		630/570	995/865	
Packing dimensions:	Height (mm)	1710	1710	
	Width (mm)	970	1120	
	Depth (mm)	1100	1250	
	Volume (m³)	1,82	2,39	
Type of heating	POWER SUPPLY - FUSES			
	230V 3AC	400V (tri + N)	230V 3AC	400V (tri + N)
Boiler fed	16 A	16 A	16 A	16 A
Steam heating	16 A	16 A	16 A	16 A
Electrical heating 12 kW	40 A	20 A		
Electrical heating 15 kW	50 A	25 A		
Electrical heating 18 kW	50 A*	32 A*	50 A*	32 A
Electrical heating 21 kW		40 A		40 A
Electrical heating 24 kW		40 A		40 A*
Electrical heating 30 kW				50 A

All specifications subject to change without notice.

(*) Standard heating



IPSO-LSG NV, NIEUWSTRAAT 146, B-8560 WEVELGEM (BELGIUM) TEL +32 56/41 20 54 - FAX +32 56/41 86 74

info@ipso.be - WWW.IPSO.BE



IPSO
- the commercial laundry division in
LSG, Laundry Systems Group

HF1501012006