

primus

Industrial Cylinder Heated Drying Ironers I 35, I 50



FEATURES

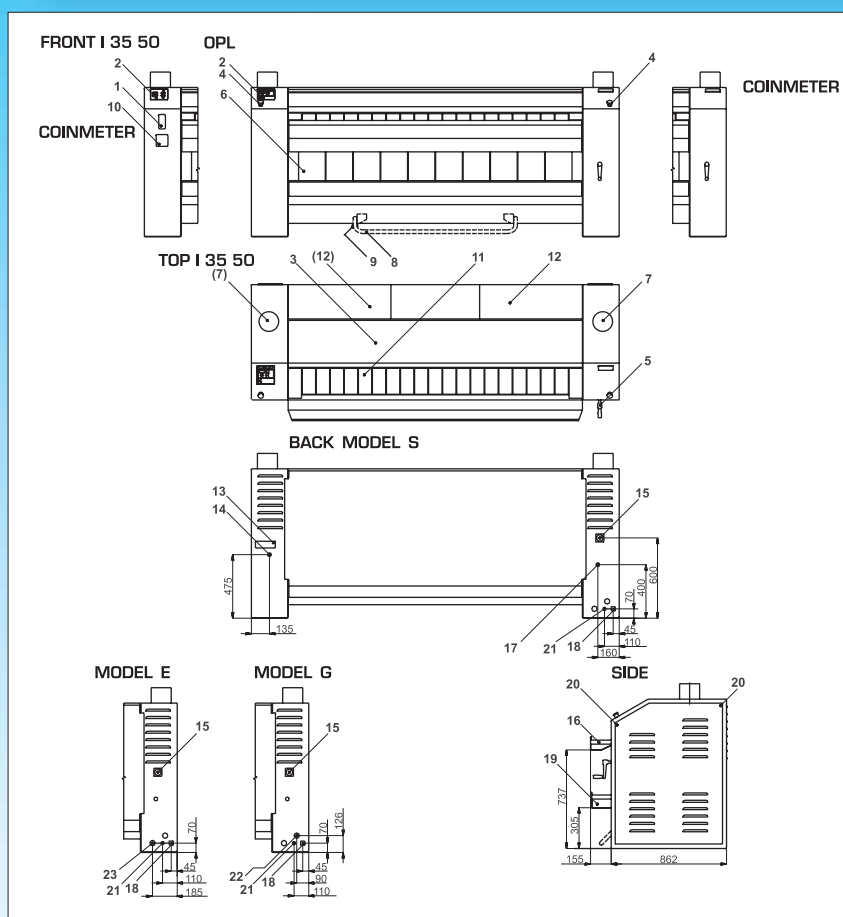
- Large surface contact with linen over an angle of 300°
- Chrome-plated cylinder for a better thermal conduction
- Finger protection and emergency button for more safety
- Durable NOMEX ironing belts
- Automatic cooldown
- Easy to operate microprocessor: 20 pre-set ironing programmes
- Indication of ironing speed and temperature
- Reverse mode possible
- Frequency controlled motor
- Easy to remove lint filters
- Space saving installation against the wall is possible: front return
- Electric, gas or steam heating

OPTIONS

- Coin operated version
- Foot pedal for easy start and stop operation

TYPE		I 35-140	I 35-160	I 35-200	I 50-160	I 50-200	I 50-250	I 50-320
ROLLER								
DIAMETER	mm	350	350	350	500	500	500	500
USEFUL ROLLER								
LENGTH	mm	1400	1600	2000	1600	2000	2500	3200
HEATING								
Electric heating	kW	17	25	29	33	38	55	65
Gas heating	kW	26	30	30	30	36	52	66
Steam heating	kg/h	27	32	40	36	49	68	88
MOTOR								
Roller motor	kW	0,37	0,37	0,37	0,37	0,37	0,37	0,37
Fan motor	kW	0,18/0,255	0,18/0,255	0,18/0,255	0,18/0,255	0,18/0,255	2x0,18/0,255	2x0,18/0,255
CAPACITY*	kg/h	27	32	40	37	50	70	90
ROLLER SPEED	m/min.	1,5-8	1,5-8	1,5-8	1,5-8	1,5-8	1,5-8	1,5-8
ELECTRIC CONNECTION		3+PE+N 380-415V 50/60Hz 3+PE 208-240V 50/60Hz						
DIMENSIONS		1180x2150x	1180x2350x	1180x2750x	1232x2350x	1232x2750x	1232x3350x	1232x3950x
HxWxD	mm	875	875	875	992	992	992	992
TRANSPORT DATA								
Gross weight	kg	730	840	900	1120	1350	1500	1850
Net weight	kg	580	670	700	920	1150	1290	1590
Volume (crate packed)	m ³	3,44	3,74	4,34	4,24	4,93	5,95	6,97
Crate packing								
HxWxD	mm	1550x2290x	1550x2490x	1550x2890x	1550x2490x	1550x2890x	1550x3490x	1550x4090x
		970	970	970	1100	1100	1100	1100

* The mentioned capacities are only indicated values while the capacity is dependent on the residual moisture, the kind of linen, ironing temperature, pressure of the ironing bed, condition of the surface and the skill of the operators (idem for consumption)



1. Coinmeter (only for version with coinmeter)
2. Control panel
3. Upper cover
4. Emergency stop
5. Manual drive of roller
6. Ironing belts
7. Exhaust ventilation (1 for I35, 2 for I50)
8. Pedal used for starting/stopping belts' movement (only for version OPL)
9. Pedal microswitch (only for version OPL)
10. Coin container (only for coin version)
11. Insertion belts/feeding table
12. Cover of filter sieve
13. Name plate
14. Condense drain G3/4" (only for version "S")
15. Main switch
16. Upper trough
17. Steam supply G3/4" (only for version "S")
18. External protective connector
19. Lower trough
20. Bolts of side cover
21. Main power supply
22. Gas supply G3/4" (only for version "G")
23. Electric power supply for heating system (version "E" only)

The company Primus bvba preserves the right to change the machines and the specification in this leaflet at any time, without prior notice. Details and photographs are only for information and never binding.

www.primuslaundry.com

primus

Quality without compromise

