

primus

High Spin Industrial Washer Extractor

FS 22



FEATURES

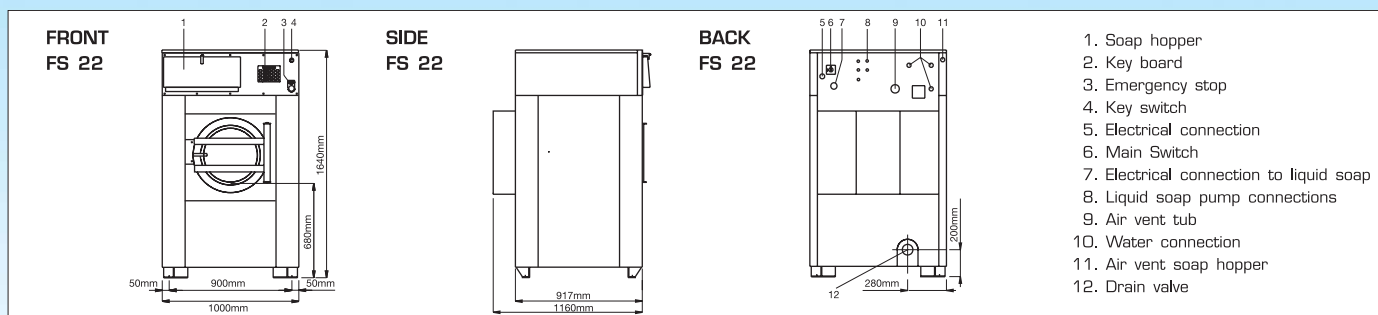
- Freestanding, high spin
- Stainless steel cabinet (AISI 304)
- Stainless steel drum and tub
- Standard Full Control (FC) microprocessor (multilingual, freely programmable)
- Large door opening (42 cm) for easy loading and unloading
- Large drain valve (75 mm)
- Easy access to all parts
- Standard liquid soap connections
- Frequency controlled motor
- Patented soap dispenser with 5 removable compartments
- Power Wash® perforated lifting ribs: more mechanical action, lower water consumption

OPTIONS

- Soft wash version (wet cleaning)
- Liquid soap pumps
- LPMS networking software

POWERWASH®

TYPE		FS 22
CAPACITY		
Drum volume	l	220
Capacity	kg	22
Drum dimensions	mm	Ø750x498
MOTOR		
Frequency controlled		standard
DRUM SPEED		
Wash speed	rpm	7-50
Distribution speed	rpm	90
Spin speed	rpm	301-860
G-factor		310
PROGRAMMER		
FC microprocessor	standard	
CABINET		
Stainless steel AISI 304		standard
SAFETY FIXING		
		4xM10
HEATING		
100% hot water	°C	90
	°F	194
100% electrical 220-240V	kW	18
380-400V	kW	18
Hot water and electrical		
Additional heating 220-240V	kW	12-18
380-400V	kW	12-18
Steam additional heating	bar	3-8
Steam high pressure	bar	3-8
CONNECTION		
Electrical		220-230V/3AC+P6 380-415V/3AC+P6+N
Water inlet	inch	3/4"
Steam inlet	inch	3/4"
DIMENSIONS		
HxWxD	mm	1640x1000x1160
TRANSPORT DATA		
Gross weight		
Crate packing	kg	830
Net weight	kg	740
Volume (packed)		
Crate packing	m ³	2,66
Crate packing HxWxD	mm	1920x1100x1260
Standard = Standard version		



The company Primus bvba preserves the right to change the machines and the specification in this leaflet at any time, without prior notice. Details and photographs are only for information and never binding.

www.primuslaundry.com

primus

Quality without compromise

