

primus

High Spin Hygienic Barrier Washer Extractors MB 16, MB 26, MB 33, MB 44, MB 66



FEATURES

- Freestanding, high spin
- The smallest real pass-through hygienic washer extractor - MB16
- Oversized frame, bearings and drum
- Large drain valve (75 mm - MB16) (2 x 75 mm - MB 26 33 44 66)
- Easy access to all parts
- Frequency controlled motor
- Patented soap dispenser with 5 removable compartments
- Large door opening for easy loading and unloading.
- Standard Full Control (FC) microprocessor (multilingual, freely programmable)
- Power Wash® perforated lifting ribs: better washing results, lower water consumption

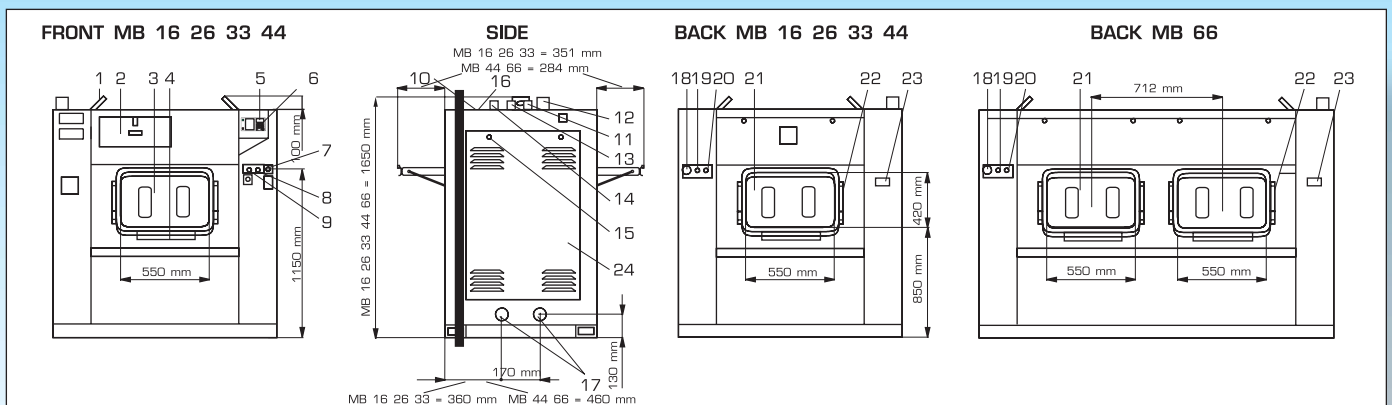
OPTIONS

- Stainless steel cabinet
- Liquid soap pumps
- Softwash (wet cleaning) version
- LPMS networking and traceability software
- Weighing system

POWERWASH®

TYPE		MB 16	MB 26	MB 33	MB 44	MB 66
CAPACITY						
Drum capacity	kg	16	26	33	44	66
Drum volume	l	165	265	332	442	666
Drum dimensions	mm	Ø650x558	Ø650x800	Ø650x950	Ø750x1000	Ø750x1500
Number of drums		1	1	1	1	2
Number of loading doors		1	1	1	1	2
Number of unloading doors		1	1	1	1	2
DRUM SPEED						
Washing speed	rpm	45	45	45	41	41
Highest spin speed	rpm	960	960	960	915	915
G-factor spin speed		335	335	300	300	300
PROGRAMMER						
FC microprocessor		Standard	Standard	Standard	Standard	Standard
COVER						
Stainless steel AISI 316L		Option	Option	Option	Option	Option
HEATING						
Electrical 380-400V	kW	18	24	36	45	54
Electrical 220-240V	kW	18	24	36	45	-
Steam heating	bar	3-8	3-8	3-8	3-8	3-8
CONNECTIONS						
Electrical		380-415V 3AC 50/60Hz 220-240V 3AC 50/60Hz 208-240V 3AC 50/60Hz 440-480V 3AC 50/60Hz 200V 3AC 50/60Hz				
Water inlet	inch	1"	1"	1"	1"	1"
Steam inlet	inch	3/4"	3/4"	3/4"	3/4"	3/4"
DIMENSIONS						
Size HxWxD	mm	1650x1410x1060	1650x1410x1060	1650x1550x1060	1650x1550x1100	1650x2140x1100
TRANSPORT DATA						
Gross	kg	1090	1050	1090	1280	1510
Net	kg	990	960	1000	1140	1360
Packed HxWxD	mm	1840x1465x1175	1840x1465x1175	1840x1610x1175	1840x1660x1380	1840x2200x1380

- | | | | |
|-----------------|---------------------------------|---|----------------------------------|
| 1. Draw-hook | 7. Main switch | 13. Inlet for hard cold water | 19. Button to unlock the door |
| 2. Powder tank | 8. Button to unlock the door | 14. Inlet for soft cold water | 20. Button for the door position |
| 3. Loading door | 9. Button for the door position | 15. Lock service panel | 21. Unloading door |
| 4. Door handle | 10. Inlet for liquid soap | 16. Steam supply (version with steam heating) | 22. Consolidation of the door |
| 5. Display | 11. Inlet for warm water | 17. Drain 2x3" (75mm) | 23. Net plate |
| 6. Keyboard | 12. Drum ventilation | 18. Emergency button | 24. Service panel |



The company Primus bvba preserves the right to change the machines and the specifications in this leaflet at any time, without prior notice. Details and photographs are only for information and never binding.

www.primuslaundry.com

primus

Quality without compromise

