

# primus

## Rigid Mounted Industrial Washer Extractors RS 6, RS 7, RS 10, RS 13



### FEATURES

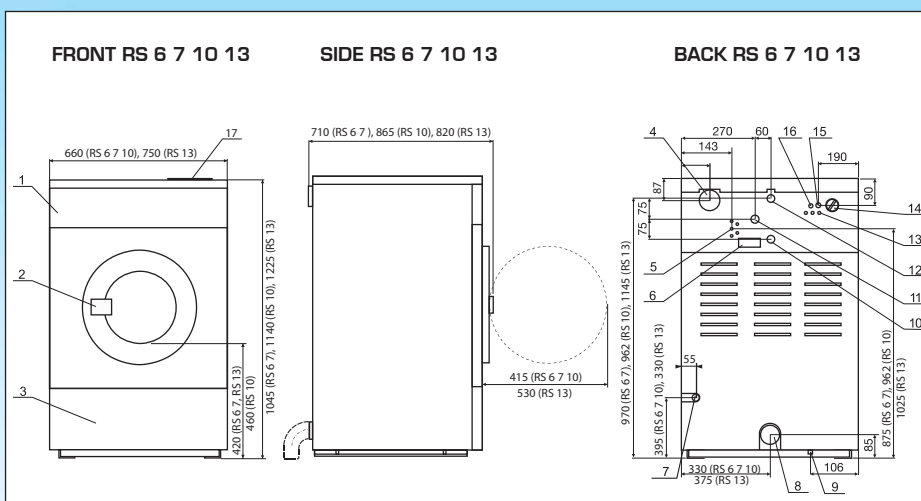
- Rigid mounted, medium spin
- Stainless steel cabinet (AISI 304)
- Stainless steel drum and tub
- Large drain valve (Ø76 mm)
- Easy access to all parts
- Patented soap hopper and drain valve (Liqui-Mix® system)
- Standard liquid soap connections
- Compact width: 660 mm, ideal for replacing existing models (including models of most competitors)
- Frequency controlled motor
- PowerWash® perforated lifting ribs more mechanical action, lower water consumption
- Measurement of unbalance by means of frequency inverter

### OPTIONS

- Full control (FC) microprocessor (RS 13)
- Liquid soap pumps
- Coin operated timer
- Anti-vandalism fascia panel
- Water recovery kit
- Trace-Tech® traceability software and networking system

 TRACE-TECH®  
**Liqui-mix**®  
  
**POWERWASH**®

TYPE		RS 6	RS 7	RS 10	RS 13
<b>CAPACITY</b>					
Drum volume	l	60	73	95	131
Capacity	kg/lb	6/15	7/18	10/25	13/30
Drum dimensions	mm	Ø530x270	Ø530x330	Ø530x420	Ø650x395
<b>MOTOR</b>					
Frequency controlled		standard	standard	standard	standard
<b>DRUM SPEED</b>					
Wash speed	rpm	48	48	48	45
Spin speed	rpm	580	580	580	525
G-factor spin speed		100	100	100	100
<b>PROGRAMMER</b>					
Microprocessor EC		standard	standard	standard	standard
Microprocessor FC		-	-	-	+
<b>CABINET</b>					
Stainless steel AISI 304		standard	standard	standard	standard
Coloured panels		+	+	+	+
<b>FIXING</b>		yes (6pcs M16x160)	yes (6pcs M16x160)	yes (6pcs M16x160)	yes (6pcs M16x160)
<b>HEATING</b>					
100% hot water	°C	90	90	90	90
	°F	194	194	194	194
100% electrical	kW	6-9	6-9	6-9-12	6-9-12
Steam high pressure	bar	3-8	3-8	3-8	3-8
<b>CONNECTION</b>					
Electrical		1x220-240V 50/60Hz, 1x208-240V 50/60Hz 3x220-240V 50/60Hz, 3x208-240V 50/60Hz 3x380-415V+N 50/60Hz, 3x380-480V 50/60Hz Others on request			
Water inlet	inch	3/4"			
Steam inlet	inch	1/2"			
<b>DIMENSIONS</b>					
HxWxD	mm	1045x660x710	1045x660x710	1140x660x865	1225x750x820
<b>TRANSPORT DATA</b>					
Gross weight					
Case packing	kg	145	145	195	205
Net weight	kg	140	140	185	195
Volume (packed)					
Case packing	m <sup>3</sup>	0,6	0,6	0,79	0,95
Case packing HxWxD	mm	1180x700x730	1180x700x730	1280x700x880	1380x810x850
+ = Available Standard = Standard version					



1. Control panel
2. Door handle
3. Service panel
4. Air vent
5. Liquid soap hose connections
6. Name plate
7. Steam connection
8. Drain connection
9. Earthing connection
10. Hot water connection
11. Cold soft water connection
12. Cold hard water connection
13. Fuses
14. Main switch
15. Electrical connection of machine
16. Electrical connection to liquid soap pumps
17. Soap hoppers

The company Primus preserves the right to change the machines and the specification in this leaflet at any time, without prior notice. Details and photographs are only for information and never binding.

[www.primuslaundry.com](http://www.primuslaundry.com)

primus

Quality **without**  
compromise

